

BD-9500BT-ESD

Wireless High Density Area Imaging
ESD Scanner

Economical

Excellent Performance

Rugged Durability

Precision



Enhanced performance for small label on
IT components with competitive cost.

BD-9500BT-ESD delivers aggressive scan performance on linear barcodes and area imaging codes. It's ergonomic design and available with USB-KB, USB-COM, RS-232 and HID-USB interface.

BD-9500BT-ESD combines high resolution megapixel sensor for light industrial, retail, documents / billing process and banking / finance environment, health care, medical industry.

It's perfect to read 1D 3mil barcodes and 2D 5 mil barcodes. It is certificated by IP 54 and high performance to read on electronic display such as smart phone, tablet.

It's integrated BT 4.2 module which can connect with device directly or transmit data via cradle. The designed cradle is a battery charger, a holder and the data receiver.



1280 x 800
pixels

3 mil
resolution

BT 4.2

IP
54

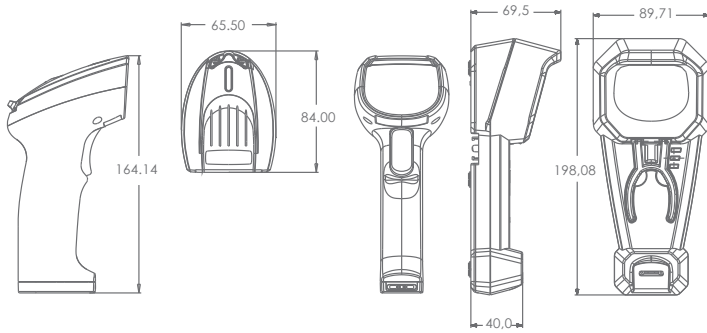
With
Cradle

BD-9500BT-ESD

Wireless High Density Area Imaging ESD Scanner

Dimensions

Unit: mm



Typical Performance	
Narrow Width	Depth of Field
Code 39	3 mil 5 cm – 9 cm
EAN 13	13 mil 3 cm – 30 cm
QR Code	5 mil 4 cm – 6 cm
QR Code	10 mil 3 cm – 16 cm
DataMatrix	5 mil 4 cm – 8 cm
DataMatrix	20 mil 3 cm – 130 cm
Resolution: 3 mil Performance may be impacted by bar code quality and environmental conditions	

General	
Interface	USB-KB / USB-COM / RS-232 / HID-USB
Barcodes Supported (1D)	All UPC/EAN/JAN, Code 39, Code 39 full ASCII, Code 32 / Italian Pharmacode, Code 128, CODABAR, Interleaved 2 of 5, MSI, Code 93, GS1 DataBAR 14, GS1 DataBar Expanded, GS1 Expanded Stacked, GS1 Data Bar Limited, GS1 Composite Component A/B/C
Barcodes Supported (2D)	PDF417, Micro PDF417, DataMatrix, QR Code, Micro QR Code, Aztec, Maxicode, DotCode
Communication	
RF Standard	BT 4.2
Working Distance	80M (Open environment)
Optical	
Optical Sensor	1280(H) x 800 (V) pixels
Light Source	610nm Red LED / White LED 6000- 6,500K
Resolution	3 mil (Code 39), 5 mil (QR Code)
Depth of Field	30mm - 300mm (EAN-13 3 mil)
Scan Rate	60 fps
PCS	30%
Indicator	Beeper, LED, Vibration
Enironment	
Operating Temperature	0°C to 40°C (32°C to 104°F)
Storage Temperature	-40°C to 70°C (-40°C to 158°F)
Operating Humidity	10% - 95% RH (Non-condensing)
Storage Humidity	10% - 85% RH (Non-condensing)
Drop	1.8m drops
Light Levels	100,000 lux
Physical	
Weight	Scanner: 190g ; Cradle: 307g
Dimensions (L x W x H)	Scanner: 84mm x 65.5mm x 164.14mm; Cradle: 69.5mm x 89.71mm x 198.08mm
Housing Material	ABS ESD plastic Withstands ESD up to 10 ⁵ - 10 ⁹ ohms per square
Warranty	1 year
Certificate	BSMI / FCC / NCC
Sealing	IP 54
Battery	
Battery Type	lithiumion battery: Panasonic 18650; 2600mAh
Number of Scan	50,000 scans (full charge , 1 scan / 1 sec.)
Charge	By cradle charge
Time of Charge	About 5 hours